

XP-8031-CE6/XP-8131-CE6/XP-8331-CE6/XP-8731-CE6

Standard PAC with x86 CPU and WinCE 6.0

Features

- x86 CPU, 1.0 GHz, dual-core
- Windows CE 6.0
- 2 GB DDR3 and 32 GB Flash
- 16 KB EEPROM and 512 MB MRAM for data retention
- 64-bit Hardware Serial Number for Software Protection
- VGA Display Output
- 2 10/100/1000M Ethernet Ports
- Redundant Power Input
- Operating Temperature: -25 ~ +75 °C



Introduction

XP-8000-CE6 Series is the new generation Windows CE 6.0 based PACs of ICP DAS. It is equipped with a x86 CPU (1 GHz) dual-core, various connectivity (VGA, USB, Ethernet, RS-232/485) and 0/1/3/7 I/O slot(s) for high performance parallel I/O module(s) (high profile I-8K Series) and serial I/O modules (high profile I-87K series).

The benefits of running Windows CE 6.0 on XP-8x31-CE6 include hard real-time capability, small core size, fast boot speed, interrupt handling at a deeper level and achievable deterministic control. XPAC is also capable of running PC-based control software such as Visual Basic .NET, Visual C#,.... etc. It has all of the best features of both traditional PLCs and Windows capable PCs.

For software copy protection, programmers can design software based on the 64-bit hardware serial number for making software copy protected.

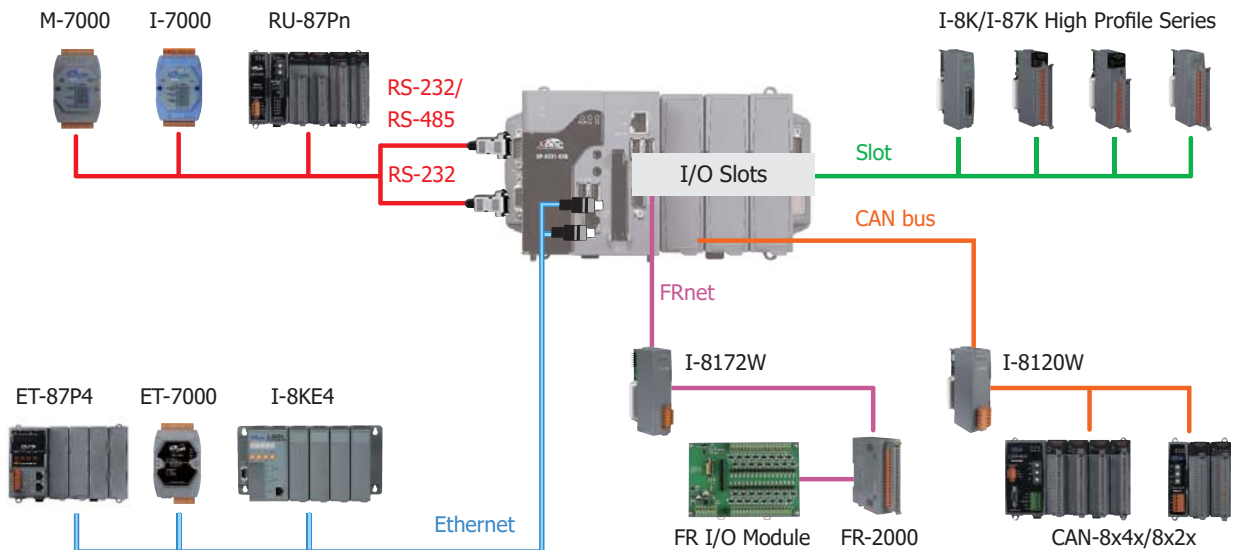
Windows CE 6.0

Windows CE 6 is a compact and real-time OS used to quickly create time critical and high performance applications. With Windows CE 6, users can use familiar tools (VS .NET 2005/2008) to develop software. Its kernel architecture supports significantly more simultaneously running processes, from 32 up to 32,000 simultaneous processes, each of which can run in a 2 GB virtual memory address space. This allows developers to incorporate larger numbers of more complex applications into the XP-8x31-CE6.



- FTP Server
- Web Server
- SQL Compact Edition 3.5
- .NET Compact Framework 3.5

Applications

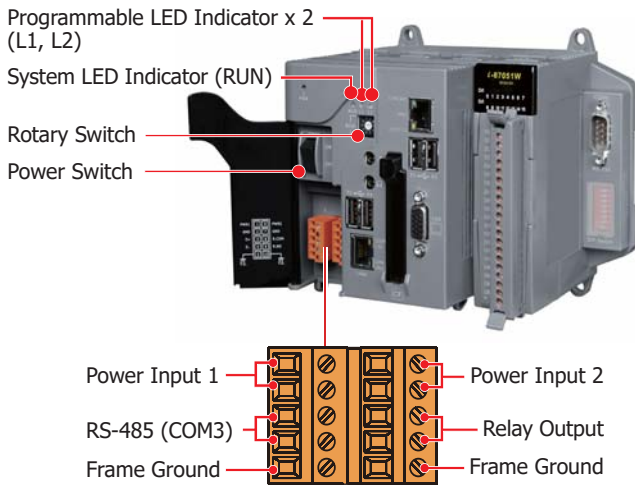


Specifications

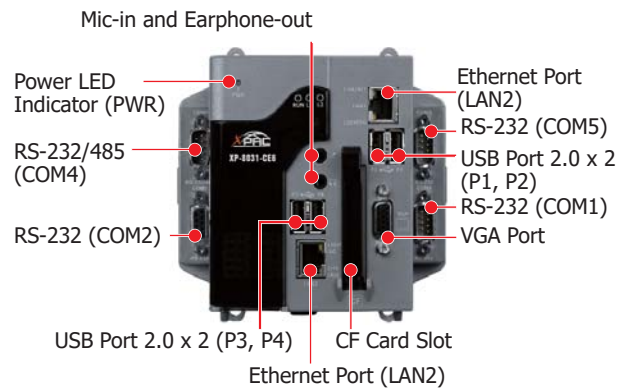
Model	XP-8031-CE6	XP-8131-CE6	XP-8331-CE6	XP-8731-CE6
Software				
OS	Windows CE 6.0			
Framework Support	.Net Compact Framework 3.5			
Service	FTP Server, ASP (Java Script, VB Script), SQL Compact Edition 3.5			
SDK	DII for eVC, DII for Visual Studio.Net 2005/2008			
Multilanguage Support	English, German, French, Spanish, Portuguese, Russian, Italian, Korean, Japanese, Simplified Chinese, Traditional Chinese			
Main Unit				
CPU	x86 CPU, 1 GHz, dual-core			
SDRAM	2 GB DDR3 SDRAM			
MRAM	512 KB			
Flash	32 GB			
EEPROM	16 KB			
Storage	8 GB CF card (up to 32 GB)			
RTC (Real Time Clock)	Provide seconds, minutes, hours, day of week/month, month and year			
64-bit Hardware Serial Number	Yes, for software copy protection			
Watchdog Timer	Dual Watchdog Timer			
Real Time Clock	Provide seconds, minutes, hours, dates, day of week, month, year			
Rotary Switch	1 x 10 Position (0 ~ 9)			
DIP Switch	-	8-bit for address		
Audio	Mic-in and Earphone-out			
Display				
VGA Resolution	640 × 480, 800 × 480, 800 × 600, 1024 × 768			
LED Indicator	1 x System, 1 x Power, 2 x Programmable			
VGA & Communication Ports				
VGA Resolution	640 × 480, 800 × 480, 800 × 600, 1024 × 768			
Ethernet	2 x RJ-45 10/100/1000M Base-TX (Auto-negotiating, Auto MDI/MDI-X, LED indicators)			
USB 2.0 (host)	4			
COM1	RS-232 (Rx/D, Tx/D and GND); non-isolated	Internal communication with the I-87K series modules in slots		
COM2	RS-232 (Rx/D, Tx/D and GND); non-isolated			
COM3	RS-485 (Data+, Data-) with internal self-tuner ASIC; 3000 VDC isolated			
COM4	RS-232/RS-485 (Rx/D, Tx/D, CTS, RTS, GND for RS-232, Data+, Data- for RS-485); non-isolated			
COM5	RS-232 (Rx/D, Tx/D, CTS, RTS, DSR, DTR, CD, RI and GND); non-isolated			
I/O Expansion				
I/O Expansion Slot	-	1	3	7
Mechanical				
Dimension (W x L x H), unit: mm	137 x 132 x 125	169 x 132 x 125	231 x 132 x 125	355 x 132 x 125
Installation	DIN-Rail, Wall mounting			
Environmental				
Operating Temperature	-25 ~ +75 °C			
Storage Temperature	-30 ~ +80 °C			
Humidity	10 ~ 90 % RH, Non-condensing			
Power				
Input Range	+10 ~ +30 VDC			
Isolation	1 kV			
Redundant Power Input	Yes, with one power relay (1 A @ 24 VDC) for alarm			
Capacity	20 W	25 W	30 W	35 W
Consumption	12 W (0.5 A @ 24 VDC)	16.6 W (0.69 A @ 24 VDC)	16.8 W (0.7 A @ 24 VDC)	18 W (0.75 A @ 24 VDC)

Appearance

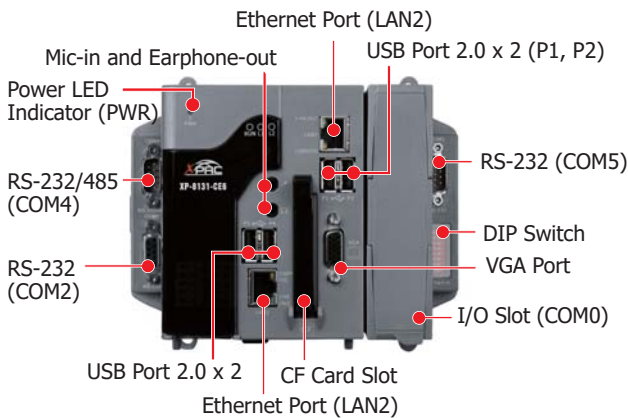
XP-8000-CE6



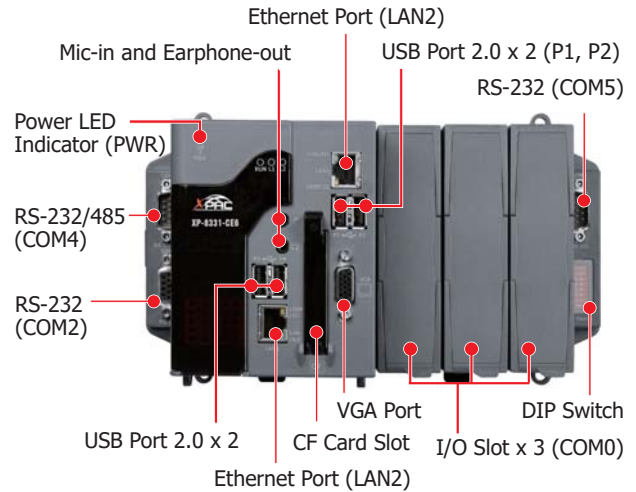
XP-8031-CE6



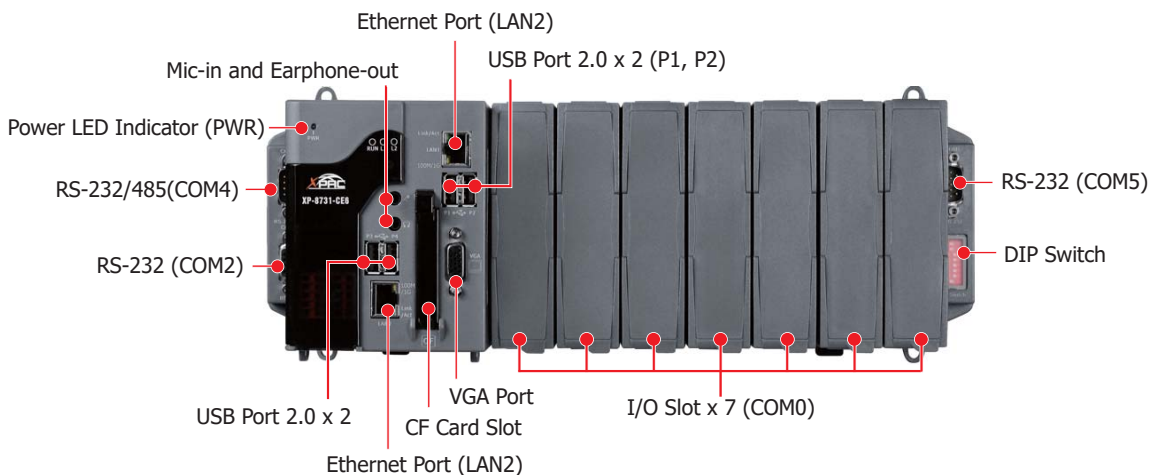
XP-8131-CE6



XP-8331-CE6

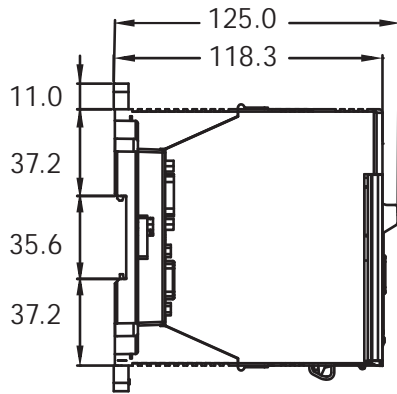


XP-8731-CE6



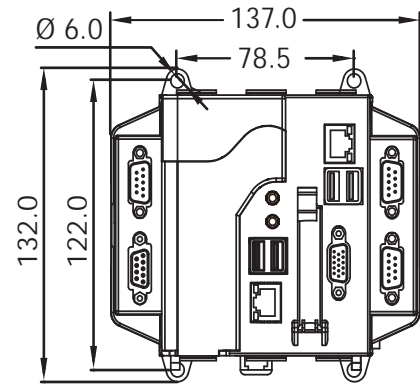
■ Dimensions (Units: mm)

XP-8000-CE6



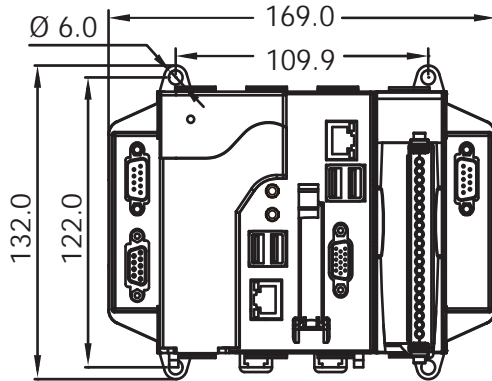
Left Side View

XP-8031-CE6



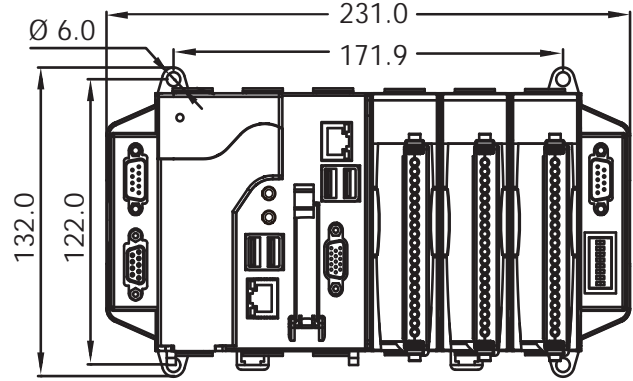
Front View

XP-8131-CE6



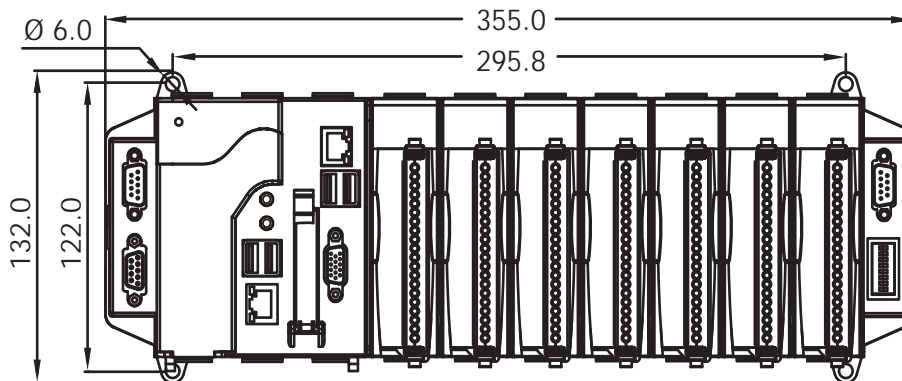
Front View

XP-8331-CE6



Front View

XP-8731-CE6



Front View

■ Ordering Information

XP-8031-CE6 CR	Standard PAC with x86 CPU, and WinCE 6.0 OS (RoHS)
XP-8131-CE6 CR	1-slot Standard PAC with x86 CPU, and WinCE 6.0 OS (RoHS)
XP-8331-CE6 CR	3-slot Standard PAC with x86 CPU, and WinCE 6.0 OS (RoHS)
XP-8731-CE6 CR	7-slot Standard PAC with x86 CPU, and WinCE 6.0 OS (RoHS)